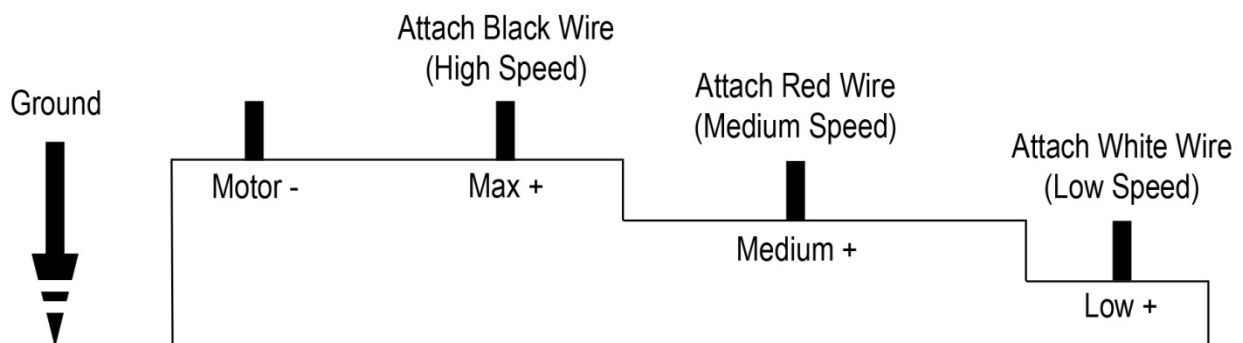


52754 Blower Motor Wiring

1. Remove the black, red, and white wires from the old resistor
2. Remove the brown wire from the ground connection
3. Remove the screws bolts and nuts securing the old blower into place, and save hardware
4. Remove old blower assembly and clean area well where old blower will attach
5. Place new blower into position and align holes and install with original mounting hardware
6. Attach white, red, and black wires to blower as shown in illustration below
7. Attach ground wire to the ground connection



NOTE: If your machine has a rheostat blower motor switch, the resistor on the motor must be bypassed due to the rheostat switch being internally resisted. Connect the hot wire (red) directly to the motor where the orange wire was connected. The opposite connection on the motor is the male spade connection for the ground wire (black).